

TOOLBOX SPECIFICATION SHEET

CUSTOMER: _____

ADDRESS: _____

DATE: _____

CONTACT: _____

PHONE: _____

FAX: _____

SIZE: A= _____ B= _____ C= _____

MATERIAL: _____

FEATURES: _____

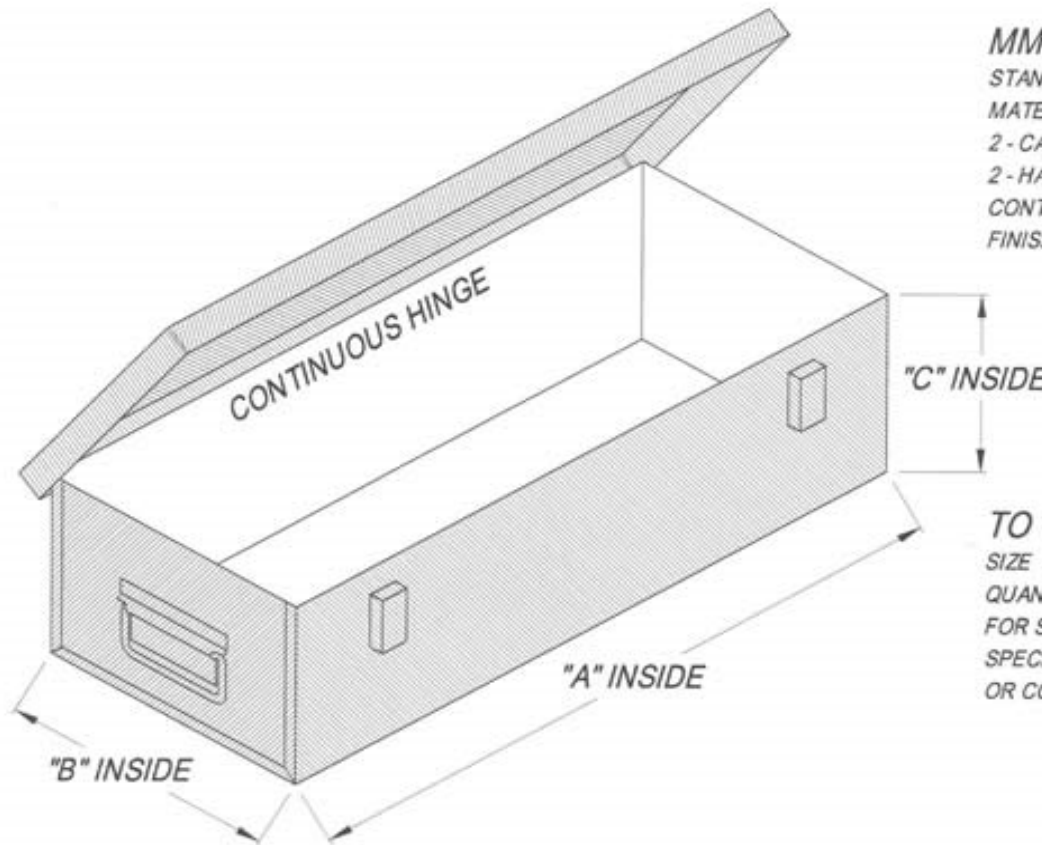
QUANTITY: _____

COLOR: _____

SPECIAL: _____

DELIVERY: _____

PRICE: _____



MMP TOOL BOX
STANDARD CONSTRUCTION
MATERIAL 16 GA (.062) STEEL
2 - CATCHES ON FRONT
2 - HANDLES / ONE EACH END
CONTINUOUS HINGE
FINISH - GRAY POWDER COAT PAINT

TO ORDER SPECIFY
SIZE A X B X C
QUANTITY REQUIRED
FOR SPECIAL REQUIREMENTS SEND
SPECIFICATIONS, DRAWINGS, SKETCHES
OR CONTACT SALES

